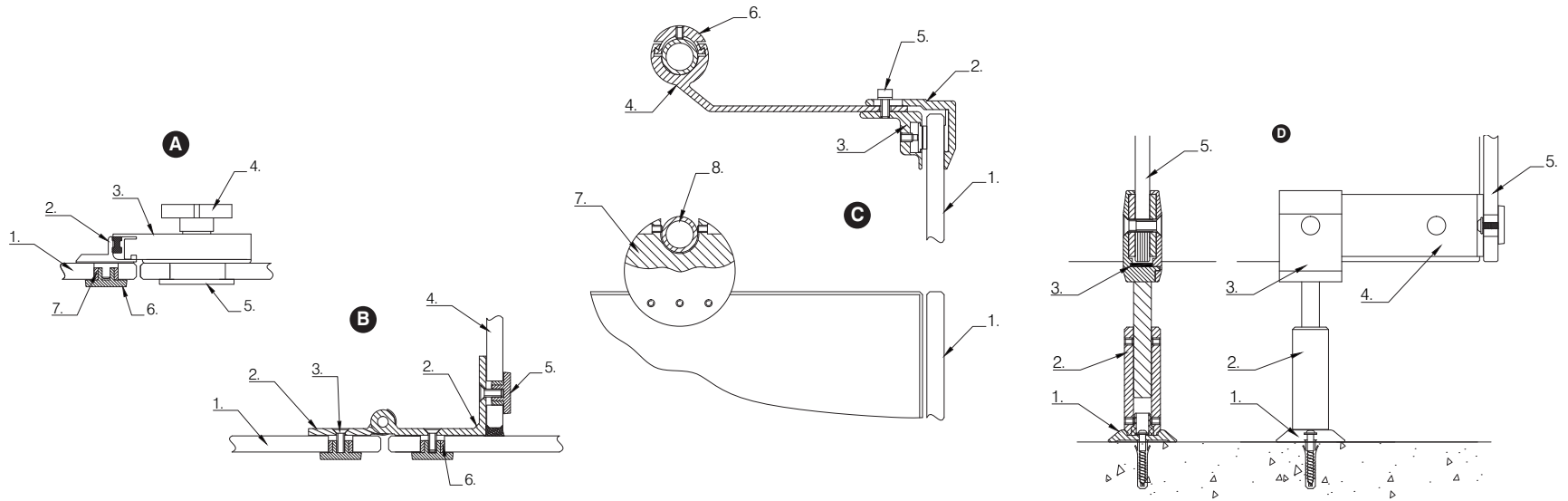


# CABRILLANT 700

Technical



**A Cabrillant 700 Lock Detail**

- 1 - Pilaster - variable glass.
- 2 - Receiver.
- 3 - Latch lock (variable handling).
- 4 - Lock knob.
- 5 - Indicator face plate.
- 6 - Adjustable eccentric nylon ferrule.
- 7 - Concealed rosette.

**B Cabrillant 700 Hinge Detail**

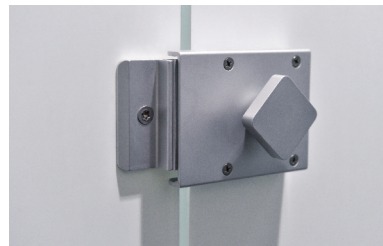
- 1 - Pilaster - variable glass.
- 2 - Hinge.
- 3 - Screw.
- 4 - Divider.
- 5 - Rossette.
- 6 - Adjustable eccentric nylon ferrule.

**C Cabrillant 700 Head Rail Section Detail**

- 1 - Pilaster - variable glass.
- 2 - Door stop front clamp.
- 3 - Door stop rear clamp.
- 4 - Shock bracket.
- 5 - Socket head screw.
- 6 - Stabilizing bar top clamp.
- 7 - "Puck" glass bracket.
- 8 - Stabilizing bar.

**D Cabrillant 700 Foot Section Detail**

- 1 - Ground rosette.
- 2 - Aluminium leg.
- 3 - Clamping bracket (divider).
- 4 - Angle bracket.
- 5 - Pilaster - variable glass.



Door Lock



Door Hinge



Head Rail



Foot

