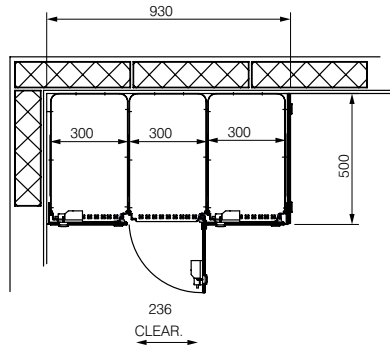


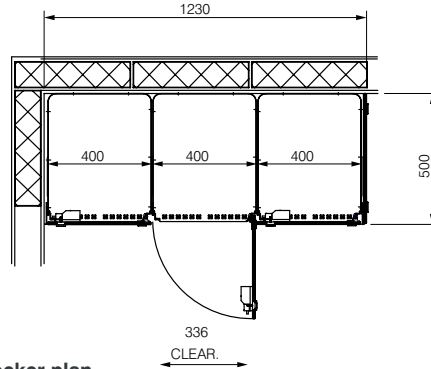
LOCKER

Systems

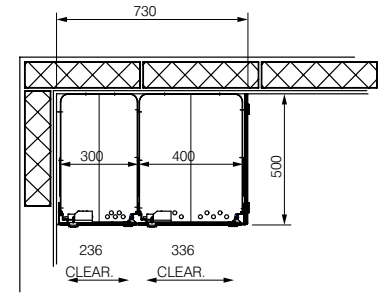
Locker Configuration



Locker plan

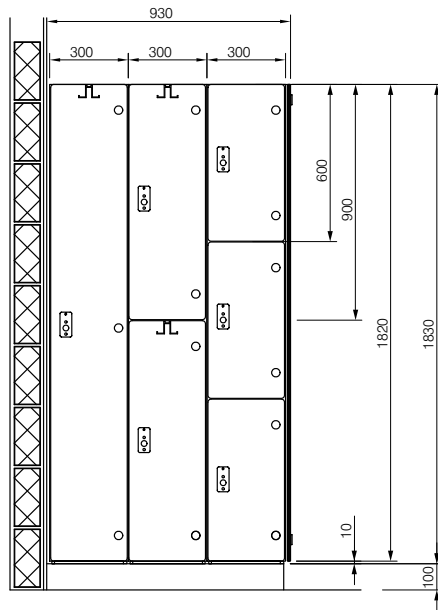


Locker plan

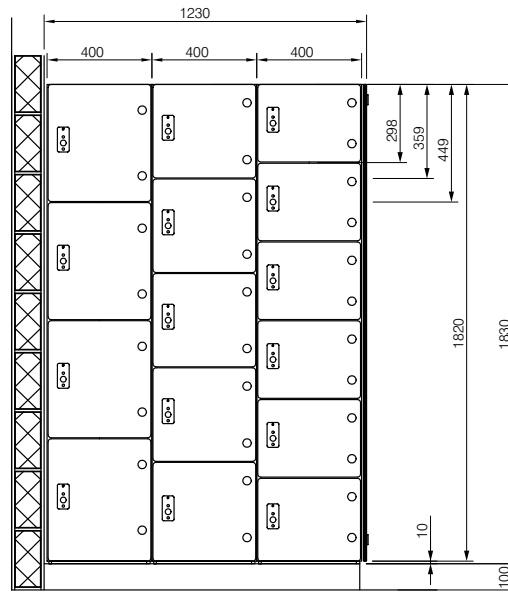


Locker plan

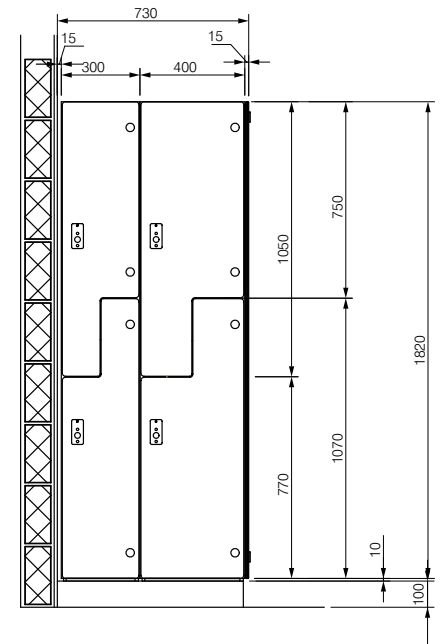
Clear opening size for a 300mm & 400mm wide 'Z' locker.



Generic locker front elevation.
300mm wide (various tierage).

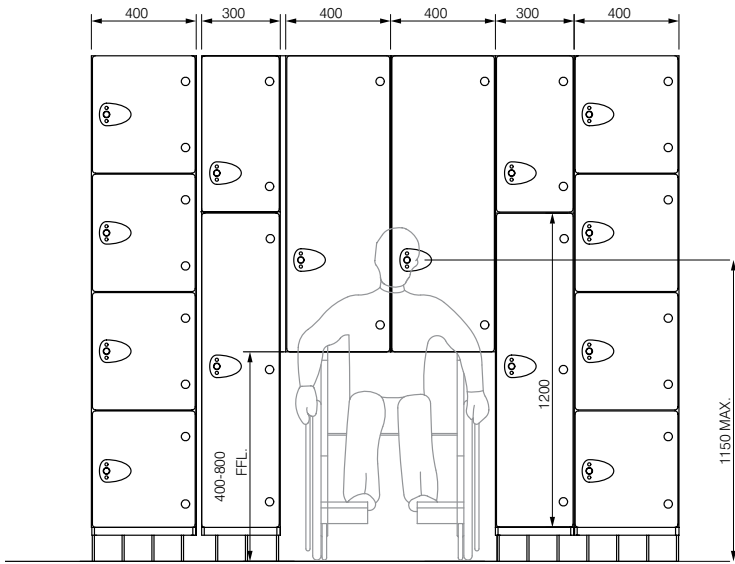


Generic locker front elevation.
400mm wide (various tierage).

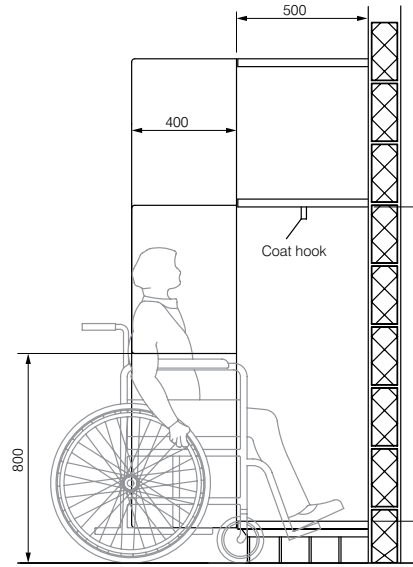


Generic 'Z' locker front elevation.
300mm & 400mm wide.



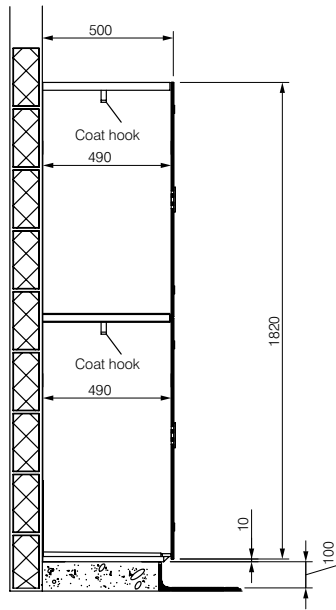


Accessible lockers elevation

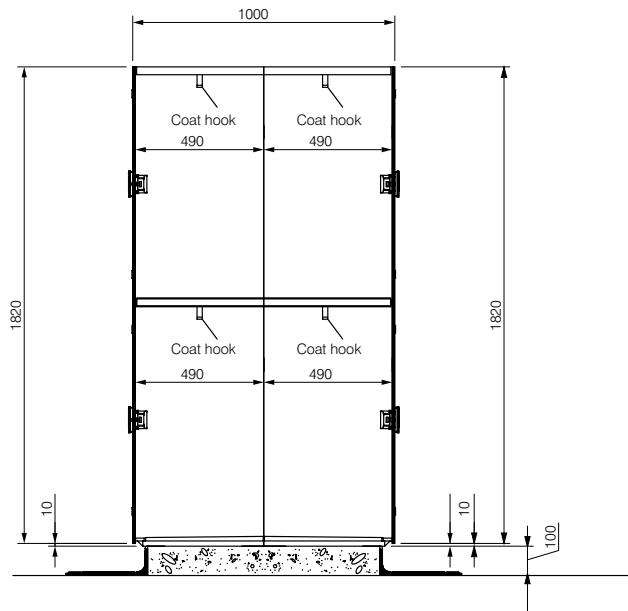


Typical section

Accessible lockers section



Generic locker side elevation



Back to back lockers side elevation

LOCKER
Systems



LOCKER Systems



Locker Volume M³

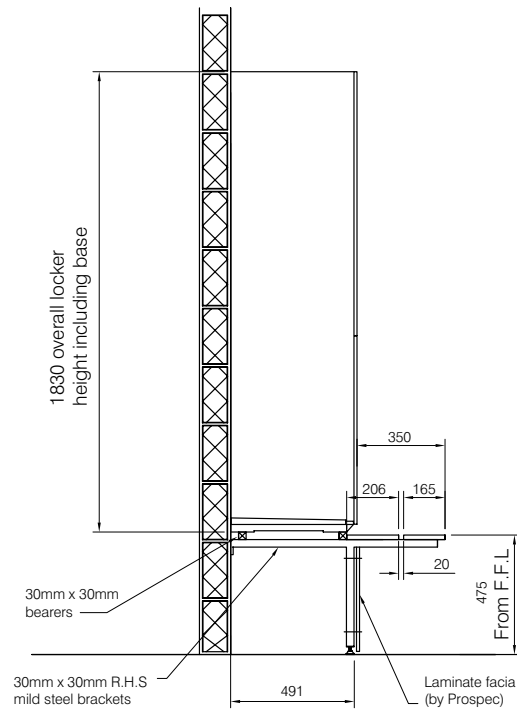
Locker 300mm Wide X 500mm Deep Capacity (Approx) M³

| | Height | Height | Height | Height | Height | Height |
|---------|--------|--------|--------|--------|--------|--------|
| Tierage | 900 | 1000 | 1200 | 1500 | 1800 | 2000 |
| 1 | 0.1350 | 0.1500 | 0.1800 | 0.2250 | 0.2700 | 0.3000 |
| 2 | | 0.0750 | 0.0900 | 0.1125 | 0.1350 | 0.1500 |
| 3 | | | 0.0600 | 0.0750 | 0.1350 | 0.0990 |
| 4 | | | 0.0450 | 0.0563 | 0.0675 | 0.0750 |
| 5 | | | | 0.0450 | 0.0540 | 0.0600 |
| 6 | | | | | 0.0450 | 0.0499 |

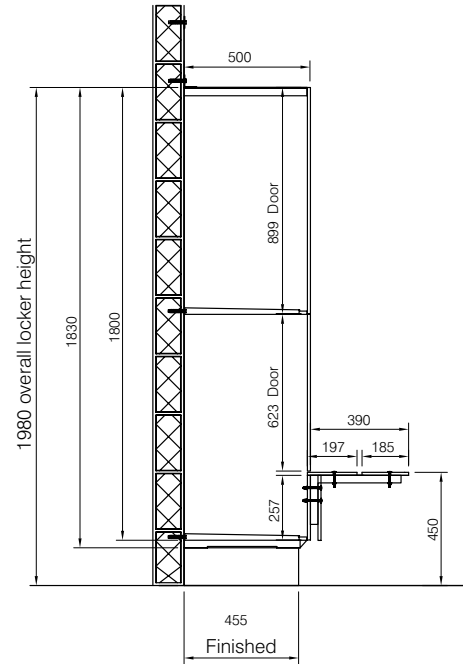
Locker 400mm Wide X 500mm Deep Capacity (Approx) M³

| | Height | Height | Height | Height | Height | Height |
|---------|--------|--------|--------|--------|--------|--------|
| Tierage | 900 | 1000 | 1200 | 1500 | 1800 | 2000 |
| 1 | 0.1800 | 0.2000 | 0.2400 | 0.3000 | 0.3600 | 0.4000 |
| 2 | | 0.1000 | 0.1200 | 0.1500 | 0.1800 | 0.2000 |
| 3 | | | 0.0800 | 0.1000 | 0.1200 | 0.1300 |
| 4 | | | 0.0600 | 0.0750 | 0.0900 | 0.1000 |
| 5 | | | | 0.0600 | 0.0720 | 0.0800 |
| 6 | | | | | 0.0600 | 0.0666 |

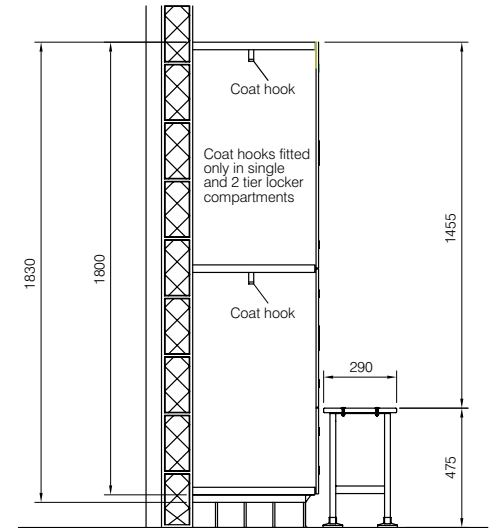
Locker Setting Out.



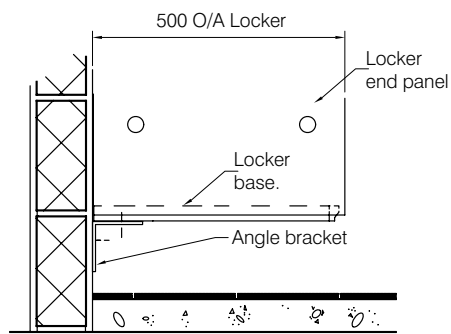
Section detail locker support bench seating



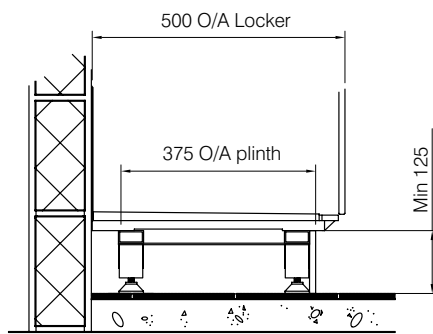
Section detail welded locker with cantilevered bench



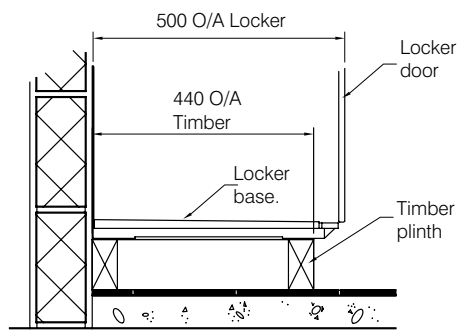
Section detail welded locker with floor mounted bench



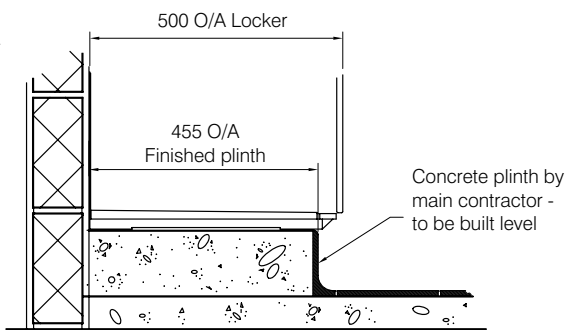
Angle bracket option



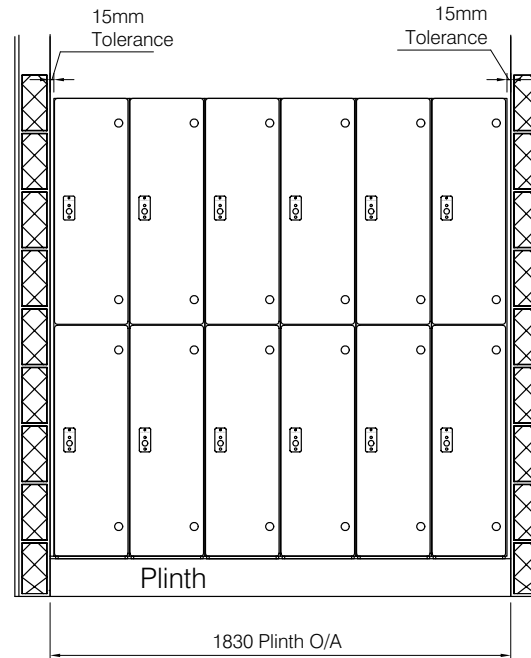
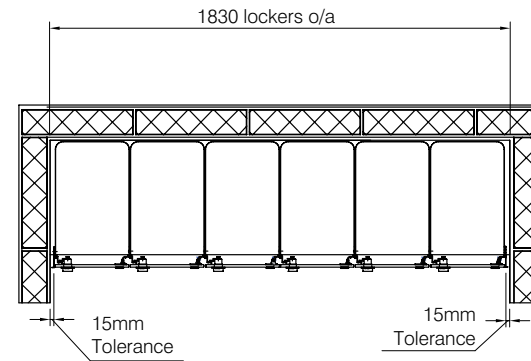
Aluminium frame plinth option



Timber plinth option



Concrete plinth option



Locker tolerance between walls

LOCKER
Systems

