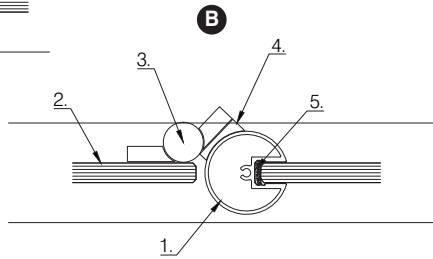


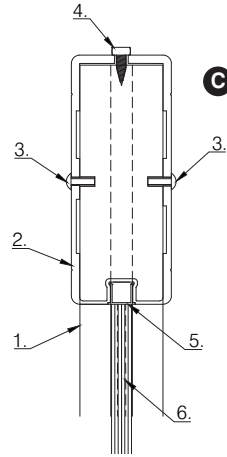
A Suspended Lock Detail

- 1 - Aluminium profile.
- 2 - Compact grade laminate.
- 3 - Silicone.
- 4 - Aluminium latch plate.
- 5 - Buffer (door knob).
- 6 - Nylon door knob.



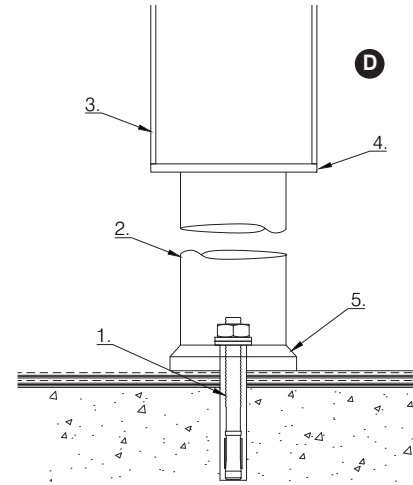
B Suspended Hinge Detail

- 1 - Aluminium profile.
- 2 - Compact grade laminate.
- 3 - Hinge.
- 4 - Nylon hinge packer
- 5 - Silicone.



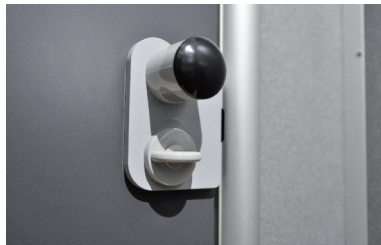
C Suspended Beam Section Detail

- 1 - Aluminium profile.
- 2 - Aluminium beam.
- 3 - Rivet.
- 4 - Bolt.
- 5 - Clip-in section
- 6 - Compact grade laminate



D Suspended Foot Section Detail

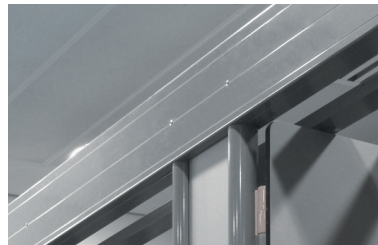
- 1 - Floor bolt.
- 2 - Aluminium leg.
- 3 - Aluminium post.
- 4 - Bottom end cap.
- 5 - Aluminium foot.



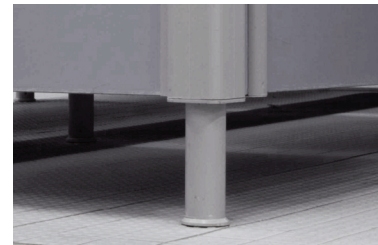
Door Lock



Door Hinge



Head Rail



Foot

SUSPENDED

Technical

