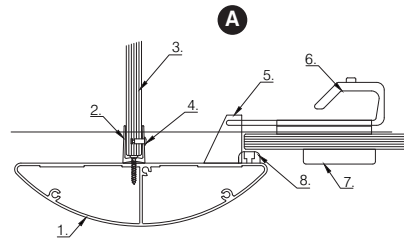


# SYSTEM D

## Technical

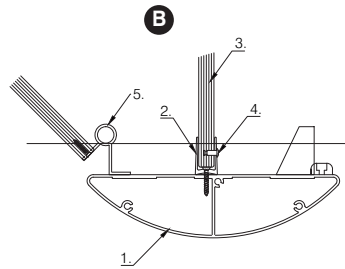


### A System D Lock Detail

- 1 - Aluminium profile.
- 2 - Aluminium 'U' channel.
- 3 - Compact grade laminate.
- 4 - Rivet.
- 5 - Receiver.
- 6 - Sliding latch.
- 7 - Indicator plate.
- 8 - Door buffer.



Door Lock

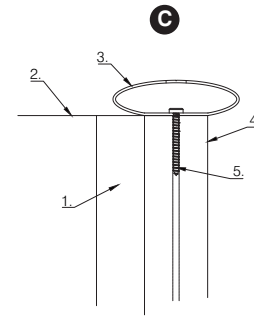


### B System D Hinge Detail

- 1 - Aluminium profile.
- 2 - Aluminium 'U' channel.
- 3 - Compact grade laminate.
- 4 - Rivet.
- 5 - Cranked hinge.



Door Hinge

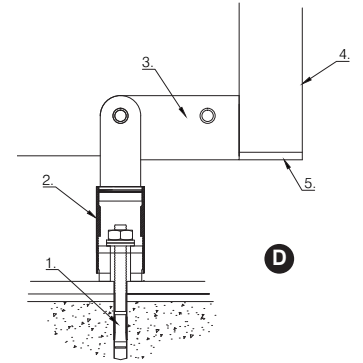


### C System D Head Rail Section Detail

- 1 - Aluminium 'U' channel.
- 2 - Divider panel.
- 3 - Headrail.
- 4 - Aluminium profile.
- 5 - Fixing screw.



Head Rail



### D System D Foot Section Detail

- 1 - Floor bolt.
- 2 - Leg.
- 3 - Return leg angle bracket.
- 4 - Aluminium profile.
- 5 - End cap.



Foot

